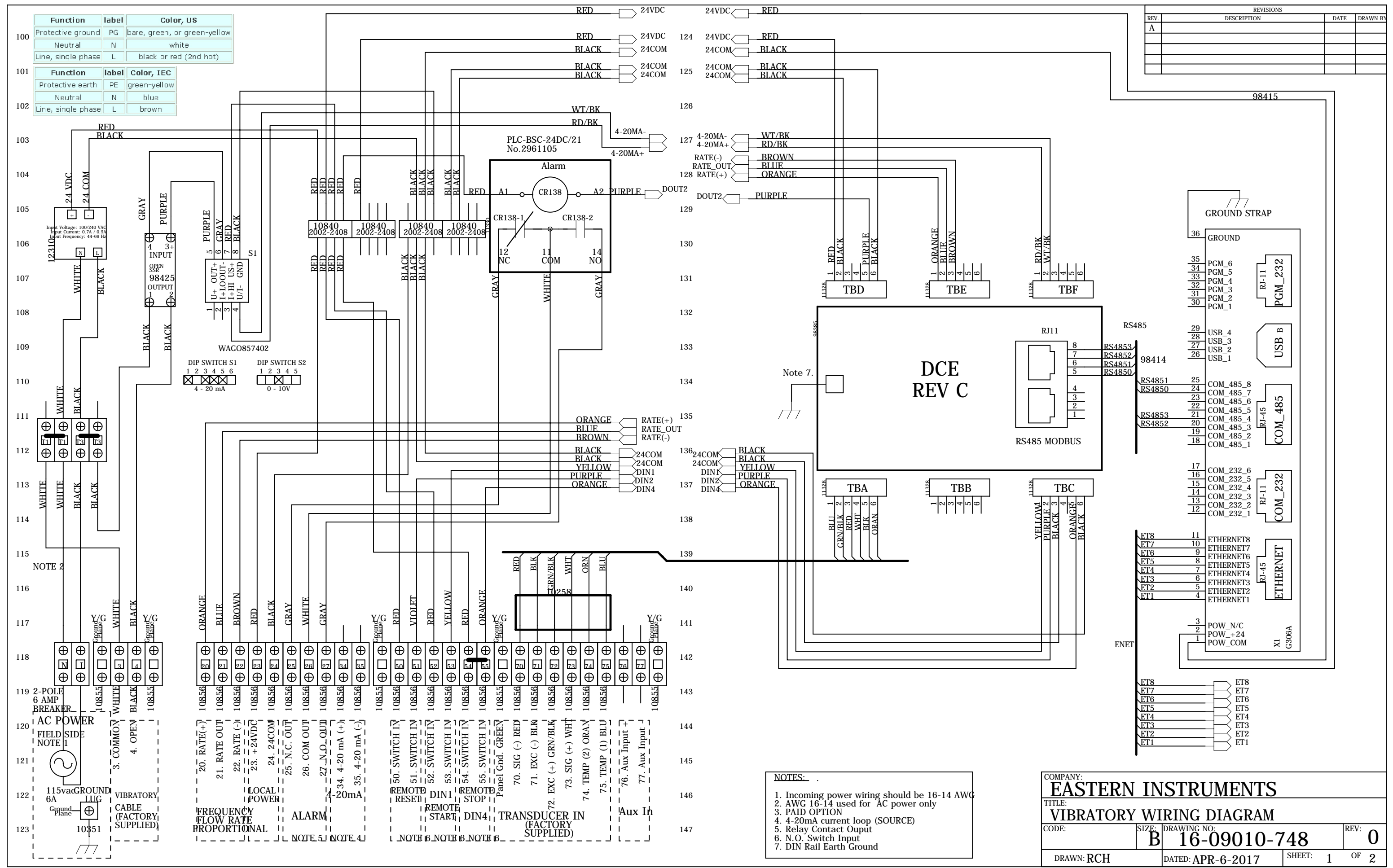


| Function           | label | Color, US                    |
|--------------------|-------|------------------------------|
| Protective ground  | PG    | bare, green, or green-yellow |
| Neutral            | N     | white                        |
| Line, single phase | L     | black or red (2nd hot)       |

| Function           | label | Color, IEC   |
|--------------------|-------|--------------|
| Protective earth   | PE    | green-yellow |
| Neutral            | N     | blue         |
| Line, single phase | L     | brown        |

| REVISIONS |             |      |          |
|-----------|-------------|------|----------|
| REV.      | DESCRIPTION | DATE | DRAWN BY |
| A         |             |      |          |
|           |             |      |          |
|           |             |      |          |



- NOTES:**
- Incoming power wiring should be 16-14 AWG
  - AWG 16-14 used for AC power only
  - PAID OPTION
  - 4-20mA current loop (SOURCE)
  - Relay Contact Output
  - N.O. Switch Input
  - DIN Rail Earth Ground

COMPANY: **EASTERN INSTRUMENTS**  
 TITLE: **VIBRATORY WIRING DIAGRAM**  
 CODE: \_\_\_\_\_ SIZE: \_\_\_\_\_ DRAWING NO: **B 16-09010-748** REV: **0**  
 DRAWN: **RCH** DATED: **APR-6-2017** SHEET: **1** OF **2**

# VIBRATORY WIRING DIAGRAM

16-09010-748

| REVISION RECORD |         |           |       |
|-----------------|---------|-----------|-------|
| LTR             | ECO NO. | APPROVED: | DATE: |
|                 |         |           |       |
|                 |         |           |       |
|                 |         |           |       |

HMI

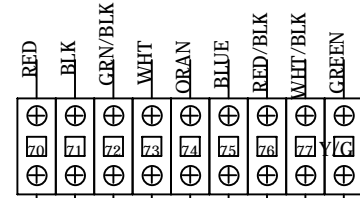
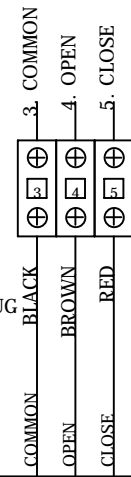
NOTE 3

NOTE 2  
Ferrite Clamp

NOTE 2  
Ferrite Clamp

5V

2-POLE  
5 AMP  
BREAKER

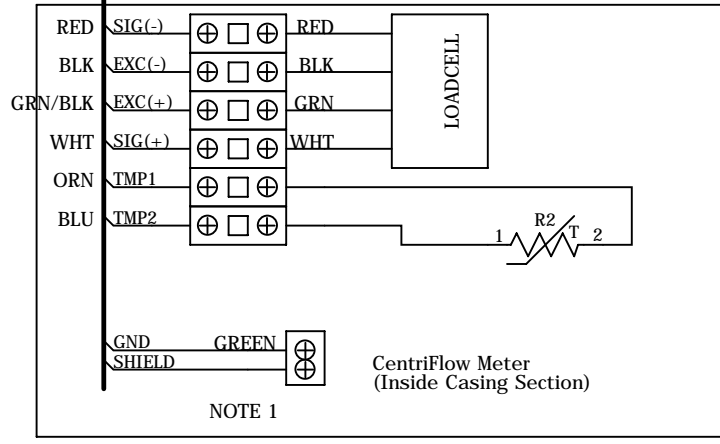


TRANSDUCER CABLE  
(FACTORY SUPPLIED)

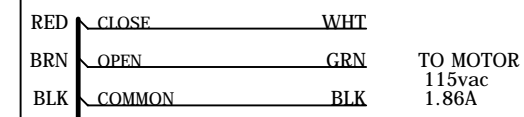
VIB CABLE  
(FACTORY SUPPLIED) (Black, Un-Shielded)

ETHERNET

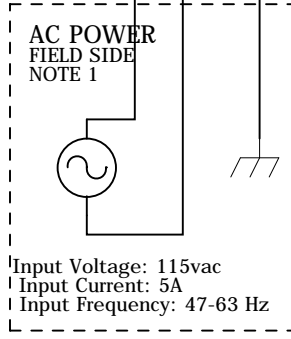
Amphenol Connector  
10-Pin



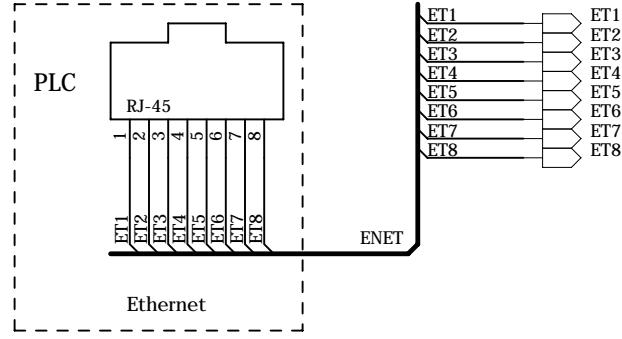
NOTE 1



VIB  
Vibratory Feeder  
(ON METER MODULE)



Input Voltage: 115vac  
Input Current: 5A  
Input Frequency: 47-63 Hz



- NOTES:
1. Earth ground loadcell inside CFM casing
  2. Non-Isolated inputs to DCE require ferrite clamp.
  3. HMI located on Control Enclosure Door

|  |                           |               |               |
|--|---------------------------|---------------|---------------|
| COMPANY: <b>EASTERN INSTRUMENTS</b>    |                           |               |               |
| TITLE: <b>VIBRATORY WIRING DIAGRAM</b> |                           |               |               |
| CODE: <b>B</b>                         | SIZE: <b>16-09010-748</b> | DRAWING NO:   | REV: <b>0</b> |
| DRAWN: <b>RCH</b>                      | DATED: <b>APR-6-2017</b>  | SHEET: 2 OF 2 |               |